



Designer: Steffensen & Würtz
(Pia Würtz Mogensen & Thomas Steffensen)

LUNA

lounge chair

"As a design studio, we work with the philosophy that design must support a joyful everyday life through a modern, but simple and functional design."

Pia W. Mogensen
Thomas Steffensen

LUNA - lounge chair

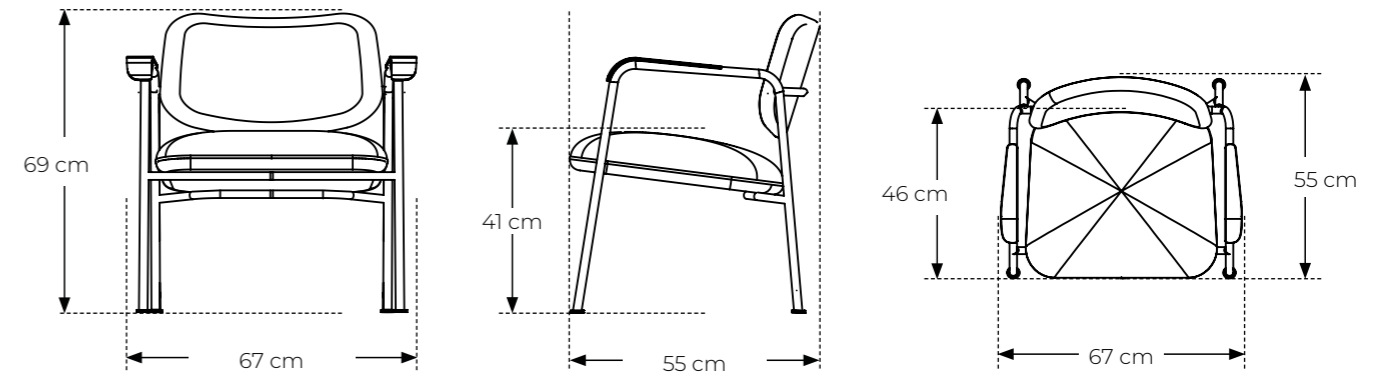
Designer: Steffensen & Würtz

Stackable: no

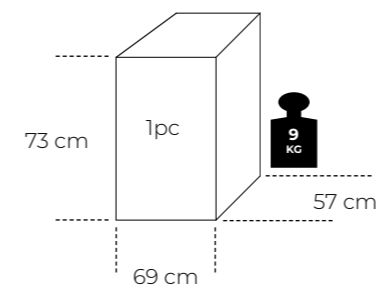
Weight: 7,7 kg

Flat Packed: no

Measurements:



Packing size:



Maximum load:



Item number: 22004 (1pc)



Frame: metal



Seat & Back: Margrethe wool from Nevotex



Colour: Stone Grey



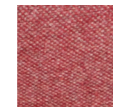
Item number: 19027 (1pc)



Frame: metal



Seat & Back: Margrethe wool from Nevotex



Colour: Red



Item number: 19073 (1pc)



Frame: metal



Seat & Back: Margrethe wool from Nevotex



Colour: Ocean Blue



LUNA
by Steffensen & Würtz

Paul W. Magnus
Steffensen