



**Designer:** Asarnsu  
(Anders Zeeb)

## APU lounge chair

*"My design is based on the Greenlandic Inuit culture and not least the Greenlandic nature. Two of my designs is the ULU lounge and dining chair inspired by Inuit`s oldest tool ULU, which has been used since 2500 BC. I have transformed it into a designer furniture."*

*Asarnsu*

# APU - lounge chair



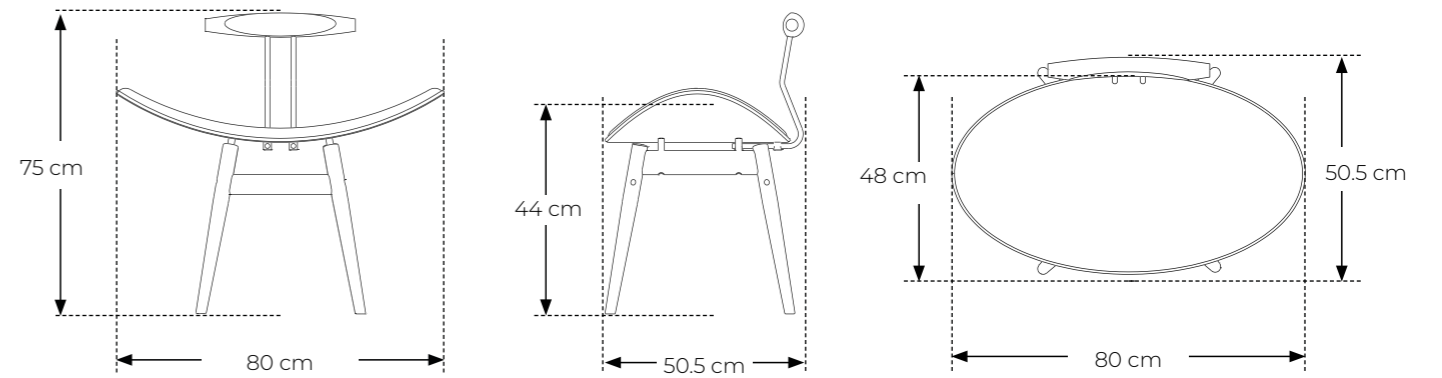
**Designer:** Anders Zeeb

**Stackable:** no

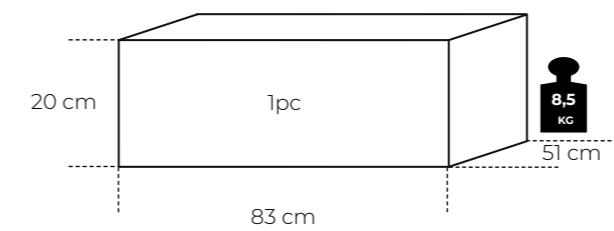
**Weight:** 7 kg

**Flat packed:** yes

**Measurements:**



**Packing size:**



**Item number:** 19062 (1pc)

**Seat:** Bentwood with real leather upholstery

**Frame:** Solid ash, stainless steel

**Colour:** Natural





APU  
by Anders Zeeb

*Asarnsu*